

Filter **V SERIES** **S SERIES**

WIDEST CHOICES FOR DIFFERENT POOL SIZES
For residential and semi-commercial pools



Bobbin-wound
Reinforced
Fiberglass Tank

Max Operating Pressure

36psi (2.5bar)

Max Temperature

43°C (109°F)

Suggested Size of Media

sand 0.5-0.8mm

Pool & Spa Equipment

 **Emaux**
water technology

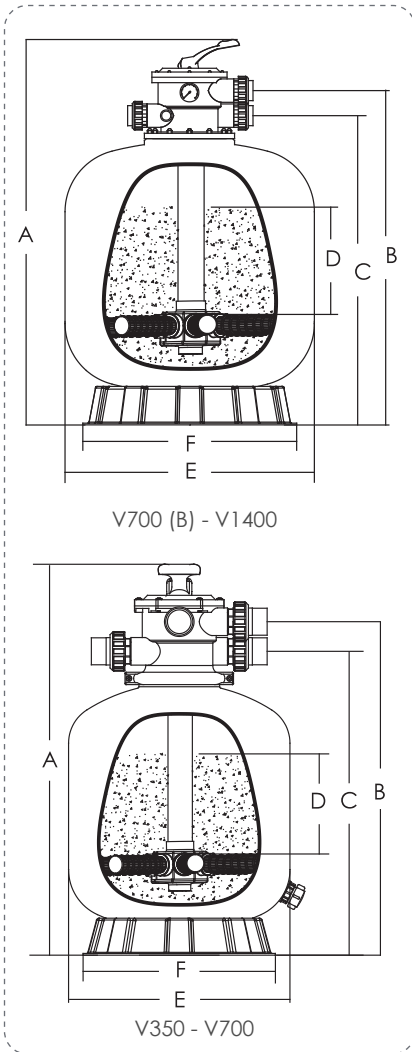
V and S Series Filters are manufactured by automatic bobbin winding technology from long-lasting and non-corrosive fiberglass and resin. The UV resistant composites allow the filter to resist extreme weather conditions for a long working life without corrosion.

Technical Information:

| Code (2.5 Bar) | Code (4 Bar) | Model | Filter Area (m ²) | Valve Connections | Max Flow Rate | Sand (kg) | |
|----------------|--------------|----------|-------------------------------|-------------------|---------------|------------------------|------|
| 88010101 | / | V350 | 0.09 | 1.5" / 50mm | 72lpm | 4.32m ³ /h | 20 |
| 88010102 | / | V400 | 0.13 | 1.5" / 50mm | 108lpm | 6.48m ³ /h | 35 |
| 88010103 | / | V450 | 0.16 | 1.5" / 50mm | 135lpm | 8.10m ³ /h | 45 |
| 88010104 | / | V500 | 0.22 | 1.5" / 50mm | 185lpm | 11.10m ³ /h | 85 |
| 88010105 | / | V650 | 0.32 | 1.5" / 50mm | 260lpm | 15.60m ³ /h | 145 |
| 88010106 | / | V650(PB) | 0.32 | 2.0" / 63mm | 267lpm | 16.00m ³ /h | 145 |
| 88010606 | / | V650(B) | 0.32 | 2.0" / 63mm | 267lpm | 16.00m ³ /h | 145 |
| 88010107 | / | V700 | 0.40 | 1.5" / 50mm | 325lpm | 19.50m ³ /h | 210 |
| 88010608 | / | V700(B) | 0.41 | 2.0" / 63mm | 336lpm | 20.16m ³ /h | 215 |
| 88010609 | / | V800 | 0.50 | 2.0" / 63mm | 415lpm | 24.90m ³ /h | 355 |
| 88010610 | 88015610 | V900 | 0.64 | 2.0" / 63mm | 520lpm | 31.20m ³ /h | 470 |
| 88010650 | 88015650 | V900(C) | 0.64 | 2.5" / 75mm | 533lpm | 32.00m ³ /h | 470 |
| 88010611 | 88015611 | V1000 | 0.79 | 2.0" / 63mm | 650lpm | 39.00m ³ /h | 620 |
| 88010651 | 88015651 | V1000(C) | 0.79 | 2.5" / 75mm | 658lpm | 39.50m ³ /h | 620 |
| 88010613 | 88015613 | V1200 | 1.13 | 2.0" / 63mm | 860lpm | 51.60m ³ /h | 860 |
| 88010652 | 88015652 | V1200(C) | 1.13 | 2.5" / 75mm | 941lpm | 56.50m ³ /h | 860 |
| 88010614 | 88015614 | V1400 | 1.54 | 2.5" / 75mm | 1155lpm | 69.30m ³ /h | 1400 |

V Series Filter is equipped with :

1. 6-way clamp/bolt style multiport valve (1.5"MPV01, 2"MPV02, 2.5"MPV12)
2. universal standard of union connection
3. pressure gauge
4. lateral system



Product Dimension:

| Model No | A mm | B mm | C mm | D mm | E mm | F mm |
|--------------|------|------|------|------|------|------|
| V350 | 726 | 619 | 550 | 160 | 355 | 298 |
| V400 | 757 | 640 | 590 | 175 | 410 | 390 |
| V450 | 814 | 698 | 638 | 210 | 455 | 390 |
| V500 | 845 | 730 | 670 | 235 | 535 | 500 |
| V650, V650PB | 950 | 835 | 775 | 300 | 635 | 500 |
| V650(B) | 957 | 815 | 731 | 300 | 635 | 500 |
| V700 | 1020 | 905 | 845 | 330 | 710 | 500 |
| V700(B) | 1092 | 960 | 877 | 390 | 723 | 500 |
| V800 | 1200 | 1085 | 1002 | 425 | 800 | 780 |
| V900 | 1300 | 1172 | 1090 | 480 | 900 | 780 |
| V900(C) | 1334 | 1242 | 1145 | 480 | 900 | 780 |
| V1000 | 1400 | 1340 | 1260 | 580 | 1000 | 780 |
| V1000(C) | 1434 | 1410 | 1160 | 580 | 1000 | 780 |
| V1200 | 1600 | 1550 | 1468 | 740 | 1200 | 1000 |
| V1200(C) | 1634 | 1620 | 1368 | 740 | 1200 | 1000 |
| V1400 | 1845 | 1683 | 1586 | 750 | 1400 | 1000 |

Suggested sand weight varies with the differences in filter media size. For reference only.





Model: S900

Model: S700(B)

Model: S450

S Series Filter is equipped with :

1. 6-way multiport valve (1.5"MPV03, 2"MPV04, 2.5"MPV13)
2. universal standard of union connection
3. piping kit
4. pressure gauge
5. lateral system

Technical Information:

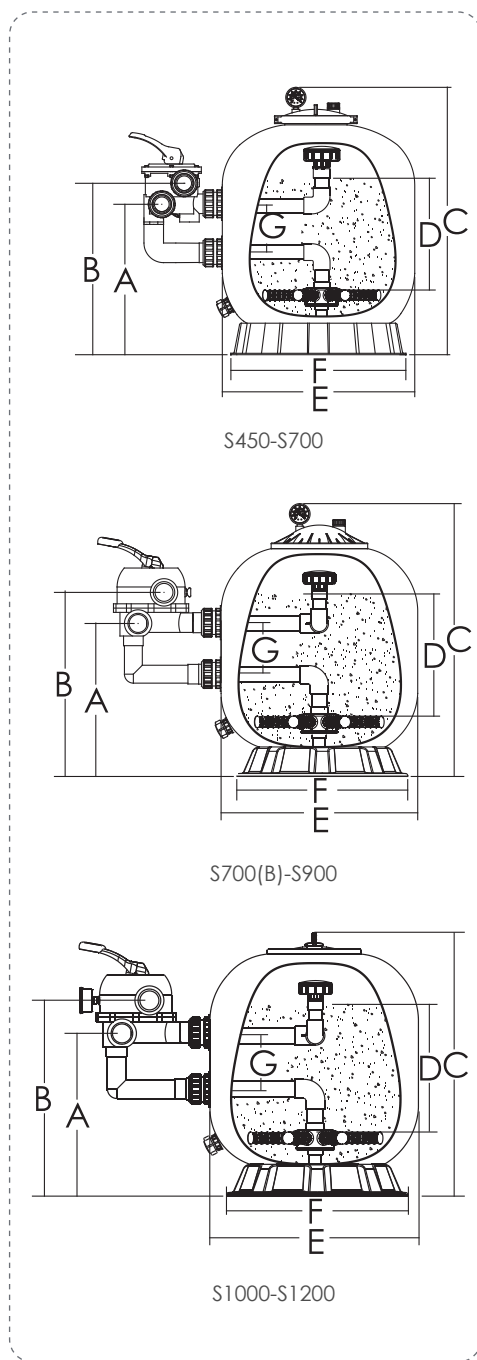
| Code (2.5 Bar) | Code (4 Bar) | Model | Filter Area (m ²) | Valve Connections | Max Flow Rate | Sand (kg) |
|----------------|--------------|----------|-------------------------------|-------------------|-------------------------------|-----------|
| 88010703 | / | S450 | 0.16 | 1.5" / 50mm | 135lpm 8.1m ³ /h | 45 |
| 88010704 | / | S500 | 0.22 | 1.5" / 50mm | 185lpm 11.10m ³ /h | 85 |
| 88010705 | / | S650 | 0.32 | 1.5" / 50mm | 260lpm 15.60m ³ /h | 145 |
| 88010707 | / | S700 | 0.40 | 1.5" / 50mm | 325lpm 19.50m ³ /h | 210 |
| 88011208 | / | S700(B) | 0.41 | 2.0" / 63mm | 336lpm 20.16m ³ /h | 215 |
| 88011209 | / | S800 | 0.53 | 2.0" / 63mm | 435lpm 24.10m ³ /h | 355 |
| 88011210 | 9011105 | S900 | 0.66 | 2.0" / 63mm | 495lpm 29.70m ³ /h | 470 |
| 88011250 | 9011108 | S900(C) | 0.66 | 2.5" / 75mm | 550lpm 33.00m ³ /h | 470 |
| 88011311 | 9011307 | S1000 | 0.82 | 2.0" / 63mm | 670lpm 40.20m ³ /h | 620 |
| 88011351 | 9011308 | S1000(C) | 0.82 | 2.5" / 75mm | 683lpm 41.00m ³ /h | 620 |
| 88011313 | 9011309 | S1200 | 1.13 | 2.0" / 63mm | 880lpm 52.80m ³ /h | 860 |
| 88011352 | 9011310 | S1200(C) | 1.13 | 2.5" / 75mm | 975lpm 58.50m ³ /h | 860 |

Product Dimensions:

| Model No | A mm | B mm | C mm | D mm | E mm | F mm | G mm |
|----------|------|------|------|------|------|------|------|
| S450 | 360 | 420 | 730 | 210 | 455 | 390 | 125 |
| S500 | 390 | 450 | 770 | 235 | 535 | 500 | 125 |
| S650 | 430 | 490 | 850 | 300 | 635 | 500 | 125 |
| S700 | 450 | 510 | 960 | 330 | 710 | 500 | 125 |
| S700(B) | 520 | 606 | 890 | 390 | 723 | 500 | 220 |
| S800 | 560 | 646 | 1050 | 425 | 820 | 780 | 220 |
| S900 | 610 | 696 | 1180 | 480 | 920 | 780 | 220 |
| S900(C) | 673 | 744 | 1180 | 380 | 920 | 780 | 236 |
| S1000 | 700 | 770 | 1220 | 580 | 1020 | 780 | 220 |
| S1000(C) | 773 | 844 | 1220 | 480 | 1020 | 780 | 236 |
| S1200 | 820 | 1005 | 1410 | 740 | 1200 | 1000 | 220 |
| S1200(C) | 836 | 1079 | 1410 | 640 | 1200 | 1000 | 236 |

Bobbin-Wound Filter

is manufactured by computerized fiberglass filament winding technology. This provides the mechanical strength of the filter tank and its ability to withstand pressure.



Suggested sand weight varies with the differences in filter media size. For reference only.

EMAUX WATER TECHNOLOGY CO., LTD

ADDRESS G/F 41 TIN HAU TEMPLE ROAD,

NORTH POINT, HONG KONG

PHONE +852 2832 9880

www.emauxgroup.com



STRIVE FOR CLEAR WATER

Available from: