

E-Power Pump

HIGH PERFORMANCE & HEAVY DUTY
For residential and semi-commercial pools



 **Emaux**
water technology

   SAA

Pool & Spa Equipment

SIGNATURE COLLECTION

Product Features

- 1) Asynchronous, two-pole motor
- 2) Class insulation: 130(B)
- 3) IPX5 Waterproof standard
- 4) Built-in thermal protection
- 5) Overload protection
- 6) Available in 50Hz or 60Hz for 220V/380V
- 7) Special designed unions compatible for both imperial and metric measurement standards
- 8) Imperial and Metric measurement standard
- 9) 316 Stainless steel shaft
- 10) 316 Stainless steel mechanical seal
- 11) Self-Priming up to 2.5m above water level
- 12) Testing pressure 50 PSI (3.5 Bar)
- 13) Basket Volume 5 litres

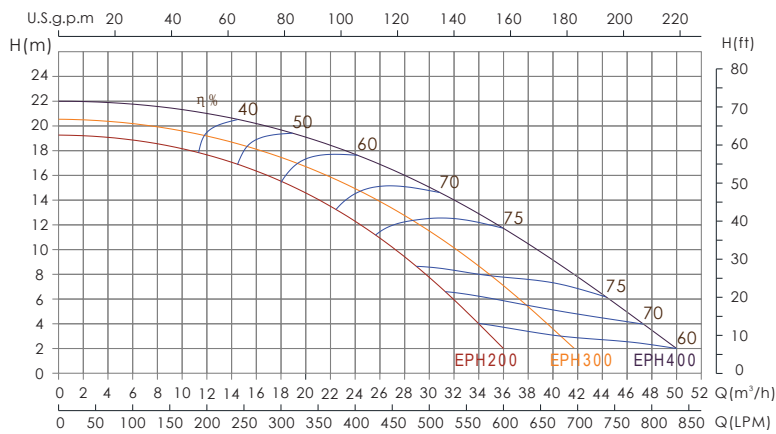
Ring lock seal design eliminates suction leaks and maximizes suction efficiency



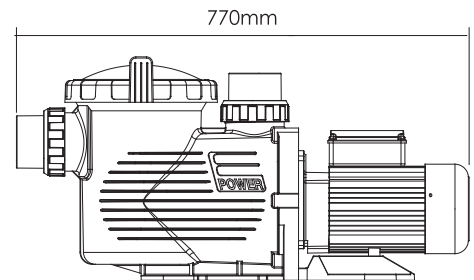
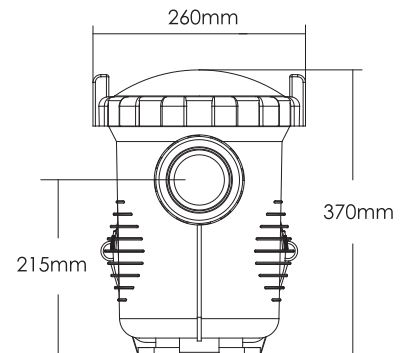
A High-Performing Self-Priming Pump



Technical Information



Product Dimensions



Model 50Hz	Input (kW)	Current (AMP)	Noise (dB)	Head (m)					
				6	8	10	12	14	16
EPH200	1.8	8.2	68	32	30	27	24	21	17
EPH300	2.2	10.0	69	37	35	32	29	26	22
EPH400	2.8	12.5	71	45	42	39	36	32	28

Code 220V/50Hz	Code 220V/60Hz	Code 380V/50Hz	Model	Connection Size	Horsepower	Weight (kg)
88020708	88021008	88020808	EPH200	2" / 63mm 2.5" / 75mm	2.0hp	23.0
88020709	88021009	88020809	EPH300	2" / 63mm 2.5" / 75mm	3.0hp	24.0
88020718	88021018	88020818	EPH400	2" / 63mm 2.5" / 75mm	4.0hp	25.0

EMAUX WATER TECHNOLOGY CO., LTD

ADDRESS G/F 41 TIN HAU TEMPLE ROAD,

NORTH POINT, HONG KONG

PHONE +852 2832 9880

www.emauxgroup.com

 **STRIVE FOR CLEAR WATER**

Available from:

ALL SPECIFICATIONS ARE SUBJECT TO CHANGE WITHOUT NOTICE.
© 2018 EMAUX WATER TECHNOLOGY CO., LTD. ALL RIGHTS RESERVED.

www.emauxgroup.com